

# I N S T R U C T I O N S



## Single

Model 76488-0000



## Double

Model 76488-0010



### Single AbleRise™ Bed Assist Model 76488-0000

#### Parts:

- A. Handle
- B. Angle Bracket (2 pieces)
- C. Extension
- D. 1½" Screw (2 pieces)
- E. Nut (2 pieces)

#### Assembly Steps:

- 1.) Assemble two angle brackets (B) to handle (A) as shown in Fig.1 using 1½" screws (D) and nuts (E) provided.
- 2.) Insert ends of angle brackets (B) into the ends of extension (C) as in Fig.1 and engage push-pins with the holes on extension (C).
- 3.) Insert extension (C) fully between mattress and box-spring until handle (A) butts against the edge of the mattress.
- 4.) Secure extension (C) to bed frame using attached strap. For beds requiring a longer strap than provided, use any sturdy cord or strap commercially available.

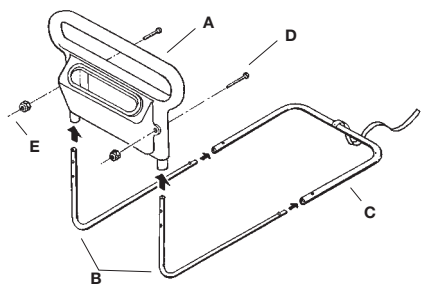


Fig. 1

### Double AbleRise™ Bed Assist Model 76488-0010

#### Parts:

- A. Handle
- B. Angle Bracket (4 pieces)
- D. 1½" Screws (4 pieces)
- E. Nut (4 pieces)
- F. Connector (2 pieces)

#### Assembly Steps:

- 1.) Assemble brackets (B) to two handles (A) by following Step 1 for the Single AbleRise™ as shown in Fig. 1.
- 2.) Insert the ends of brackets (B) into two connectors (F) as shown in Fig. 2 and engage push-pins with holes on the connectors (F) as follows:
  - (a) 1st holes from the ends for a "Queen" size bed.
  - (b) 2nd holes from the ends for a "Full" size bed.
  - (c) 3rd holes from the ends for a "Twin" bed.
- 3.) Place mattress over connectors (F). Make sure the handles butt against the mattress.

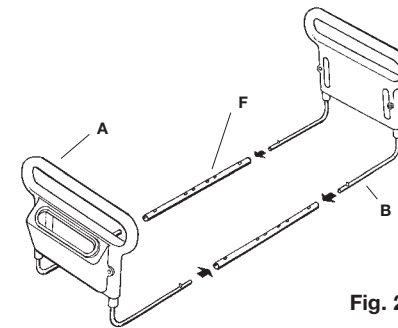


Fig. 2

#### Warning:

- 1.) The AbleRise™ Bed Assists are designed to be used only as an aid for getting on and off the bed. Do not lean, pull or push against the handles with full body weight.
- 2.) Frequently check all screws, push-pins and straps and reposition or tighten when needed.
- 3.) Loose straps can be dangerous to children. Make sure to keep children away from the straps to prevent choking hazards.

#### Precuaciones:

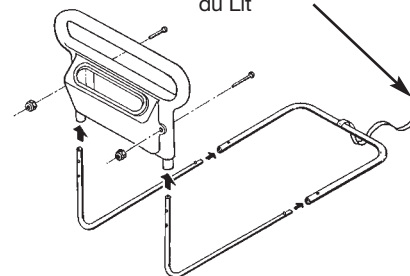
- 1.) Los rieles han sido diseñados solo para ser capaces de subir y ayudar para salir y entrar de la cama, no se arrecueste, emuje, o ale contra el mango con el peso de su cuerpo.
- 2.) Frecuentemente revise todos los tornillos, empuje los pasadores y correas y reposicione o ajuste cuando necesario.
- 3.) Las correas sueltas pueden ser peligrosas para los niños, asegúrese de mantener los niños lejos de las correas para prevenir riesgos de afijción.

#### Avis:

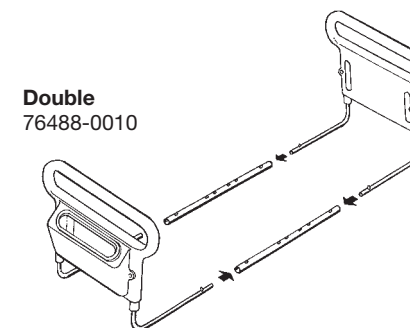
- 1.) AbleRise™ barreaux sont fait que l'on les emploie seulement comme une aide s'élever ou se baisser du lit. Ne vous appuyez pas ni tirez pas ou poussez contre les manches avec les poids du corps entier.
- 2.) Freqüentement vérifiez toutes les vis, les pousse-chevilles et courroies, et les ajustez s'il le faut.
- 3.) Les courroies déliées sont dangereuse pour les enfants. Soyez certain garder les enfants des courroies prévenir les hasards de suffocant.

#### Single 76488-0000

Attach to Bed Frame  
Atar al marco de la cama  
Attachez à la Charpente  
du Lit



#### Double 76488-0010



# Maddak Inc.

6 INDUSTRIAL ROAD • PEQUANNOCK, NJ 07440-1993 USA  
973-628-7600 • fax 973-305-0841 • email [custservice@maddak.com](mailto:custservice@maddak.com) • [www.maddak.com](http://www.maddak.com)